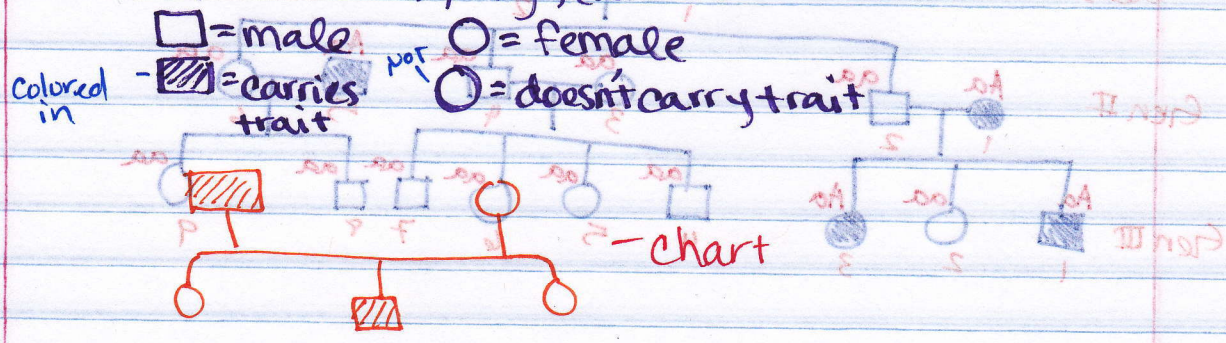


Ch. 7: Pedigree Chart: A type of family tree

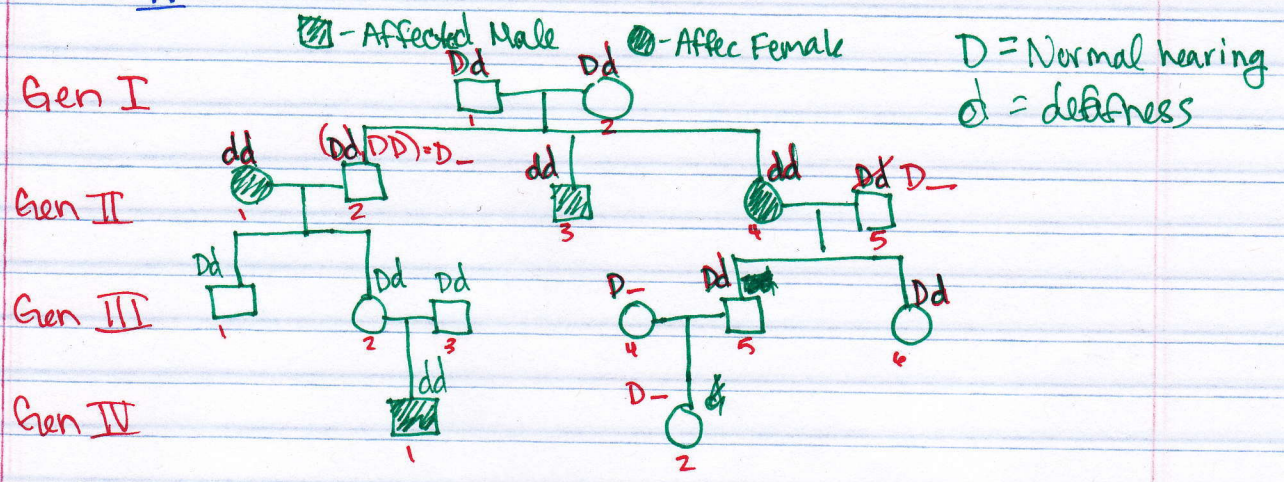
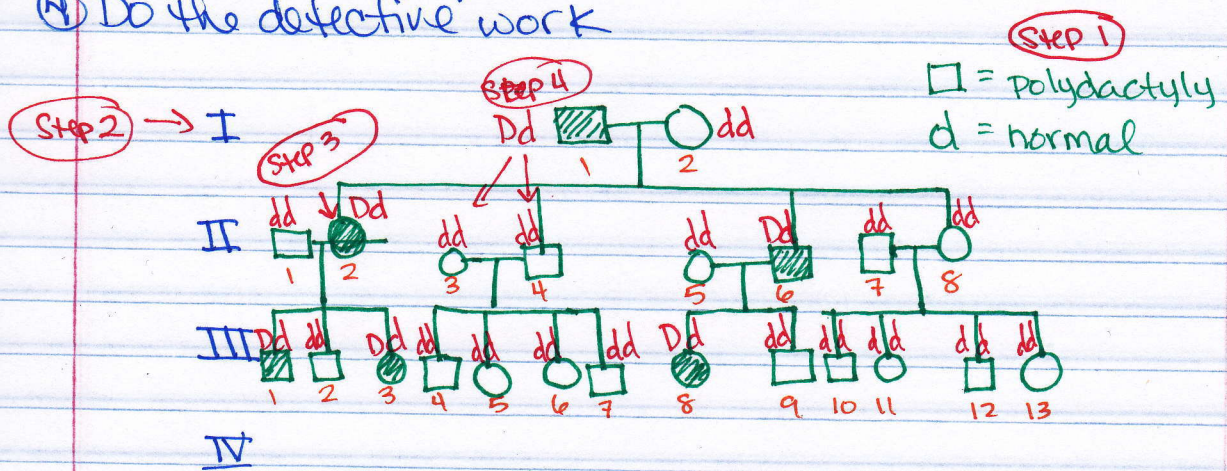
- used for horses, dogs, cats...



Anury - recessive gene w/no tail

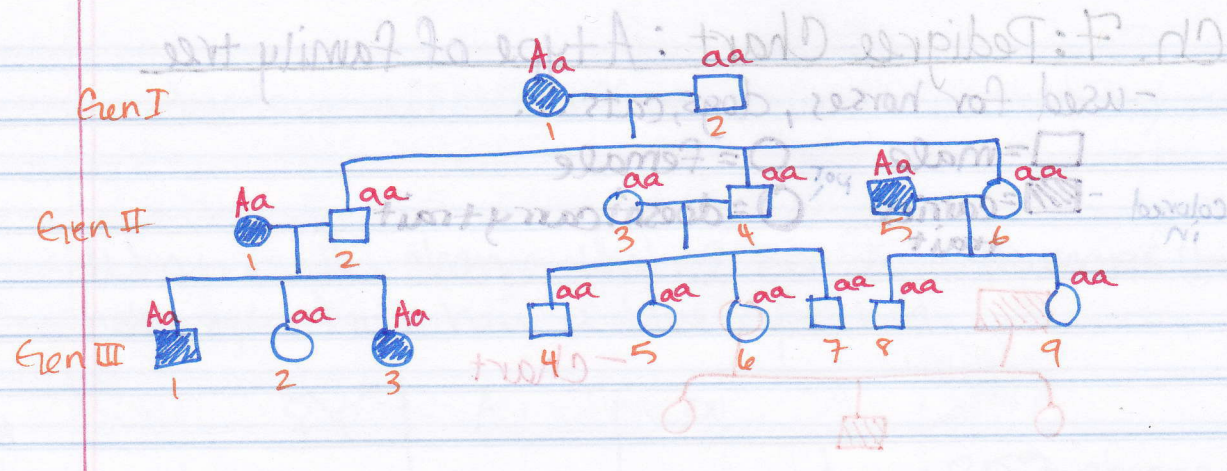
Steps for ped chart

- ① Read + understand the key
- ② # Generations + individuals
- ③ Fill in what you know
- ④ Do the detective work



● = w/fangs
○ = normal

A = Fangs
a = Normal teeth



Steps for pedigree chart
Analyze - recessive gene when trait

- 1 Read + understand the key
- 2 # generations + individuals
- 3 Fill in what you know
- 4 Do the detective work

